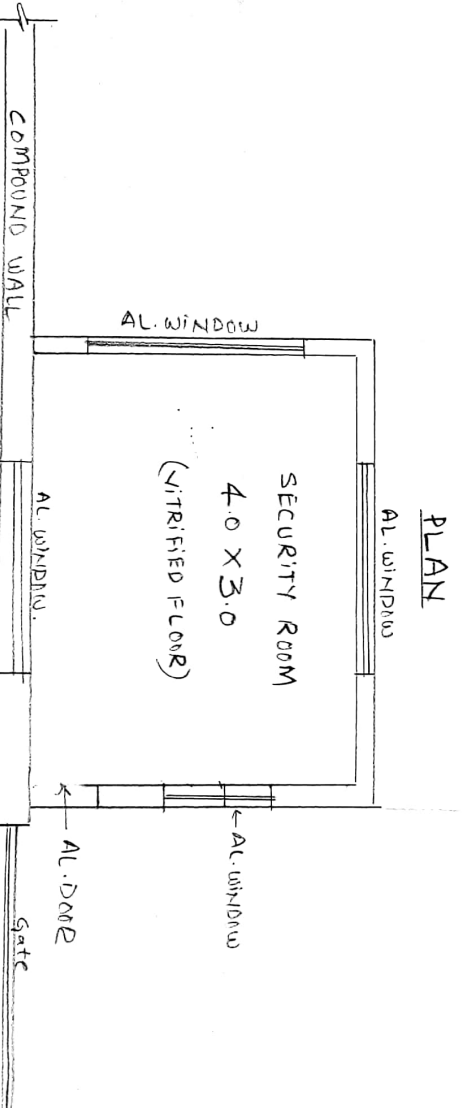
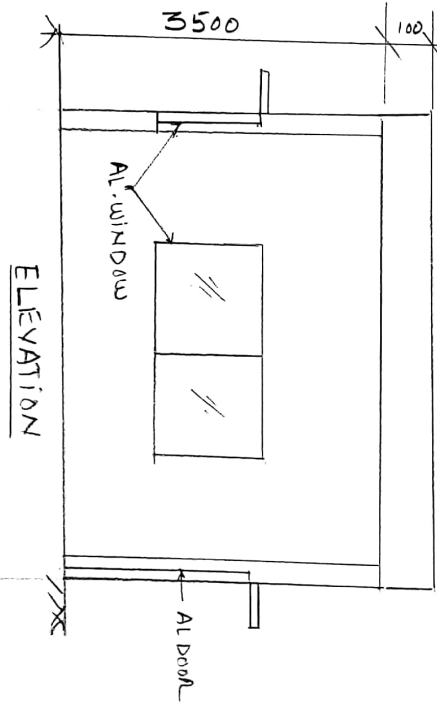
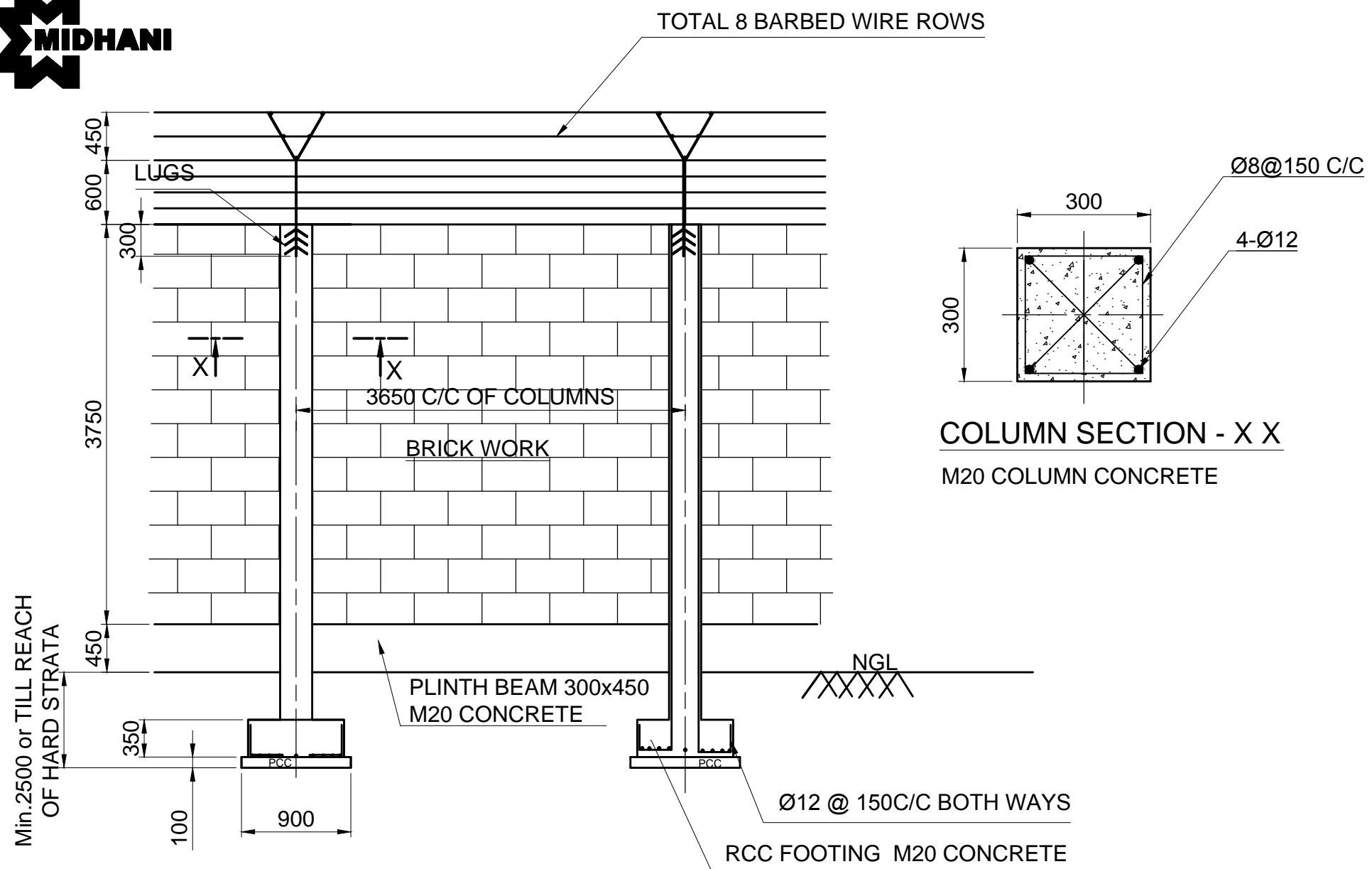


TENTATIVE PLAN & ELEVATION OF SECURITY ROOM AT RAHATK



PLAN

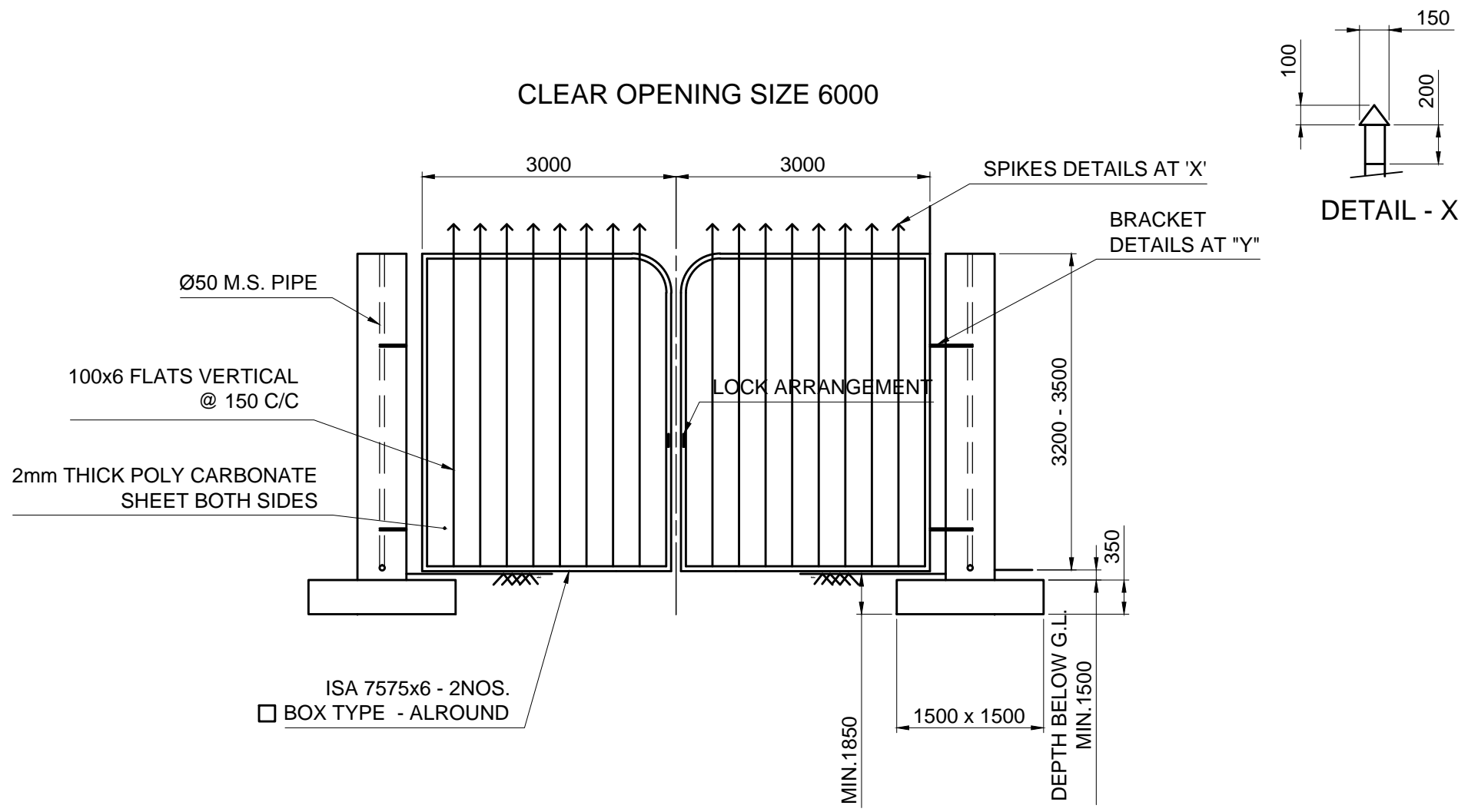
ELEVATION



**DETAILS OF CONSTRUCTION OF
 COMPOUND WALL AT ROHTAK.**

ALL DIMENSIONS ARE IN mm

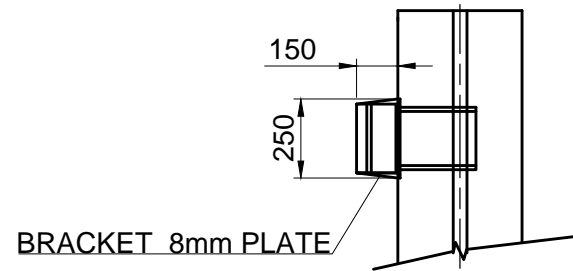
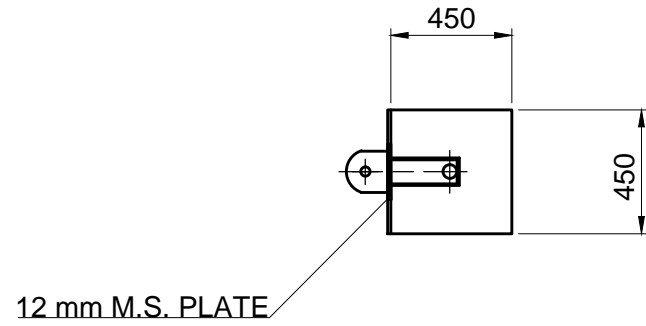
(SCALE = NTS)



M.S. GATE DETAILS

ALL DIMENSIONS ARE IN mm

(SCALE = NTS)
8-11-17



BRACKET DETAILS "Y"

ALL DIMENSIONS ARE IN mm

(SCALE = NTS)
8-11-17